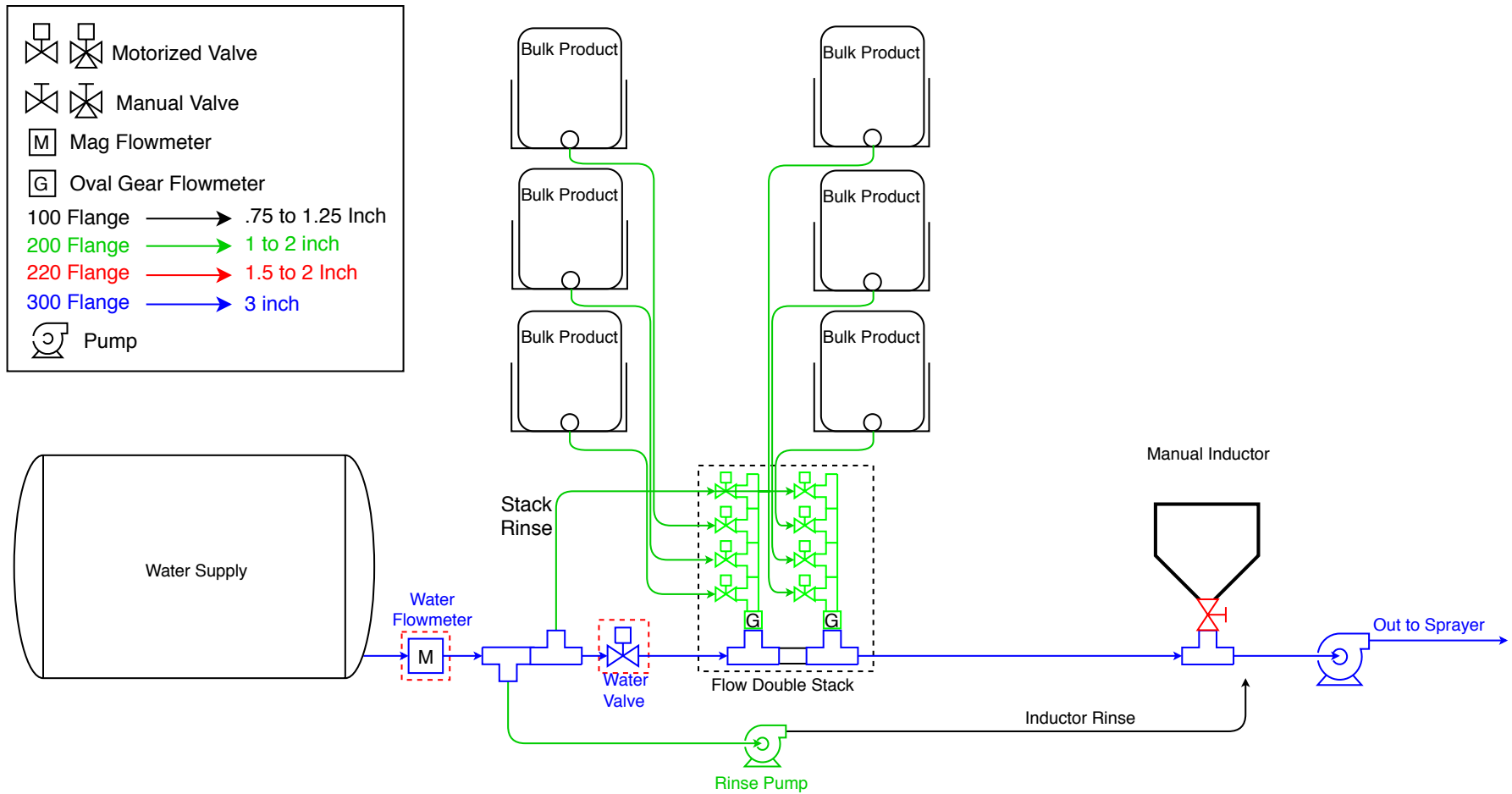


6 Input Double Stack Plumbing Diagram



Mixmate six input Double Stack. All chemicals are measured with gear type flowmeters. Up to two bulk chemicals will be measured simultaneously while using the inductor. Consult your dealer for variations to this configuration.

Optionally add the three inch valve and flowmeter to automatically measure and control the water in the mix. Add \$5,777 Kits: K40, K34, K52

The Rinse Pump supplies pressurized rinse water to the Inductor and jug rinse.
 Kit: K91001 \$19,599 Prices subject to change.