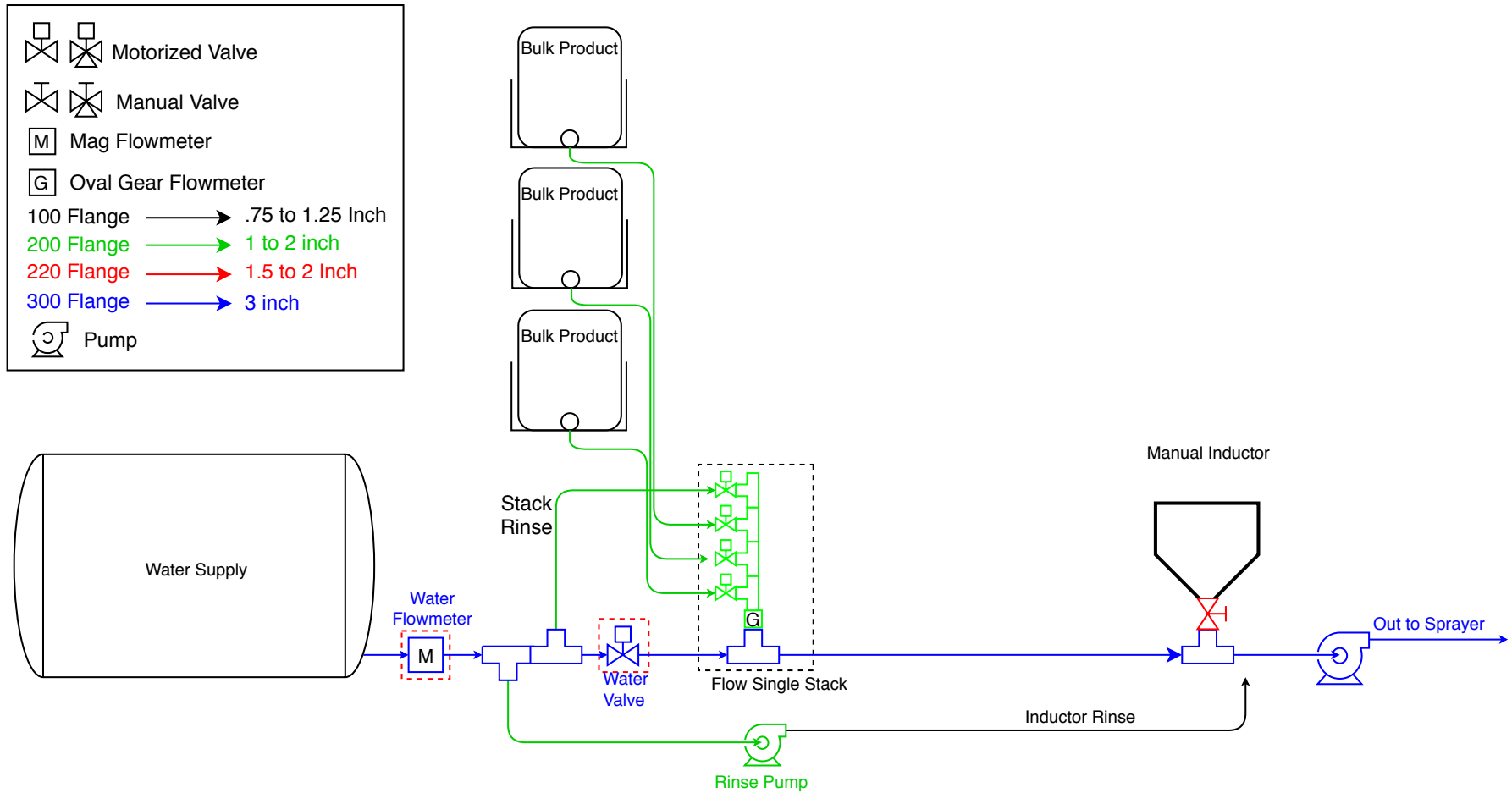


3 Input Single Stack Plumbing Diagram

Diagram ST-1



Mixmate three input Single Stack. All chemicals are measured with gear type flowmeters. One bulk chemical will be measured simultaneously while using the inductor. Consult your dealer for variations to this configuration.

Optionally add the three inch valve and flowmeter to automatically measure and control the water in the mix. Not included in the kit list and price. Add \$4,778 for this option.
Kits: K34, K52

The Rinse Pump supplies pressurized rinse water to the Inductor and jug rinse.
Kits: K91000 \$12,799 Prices subject to change.