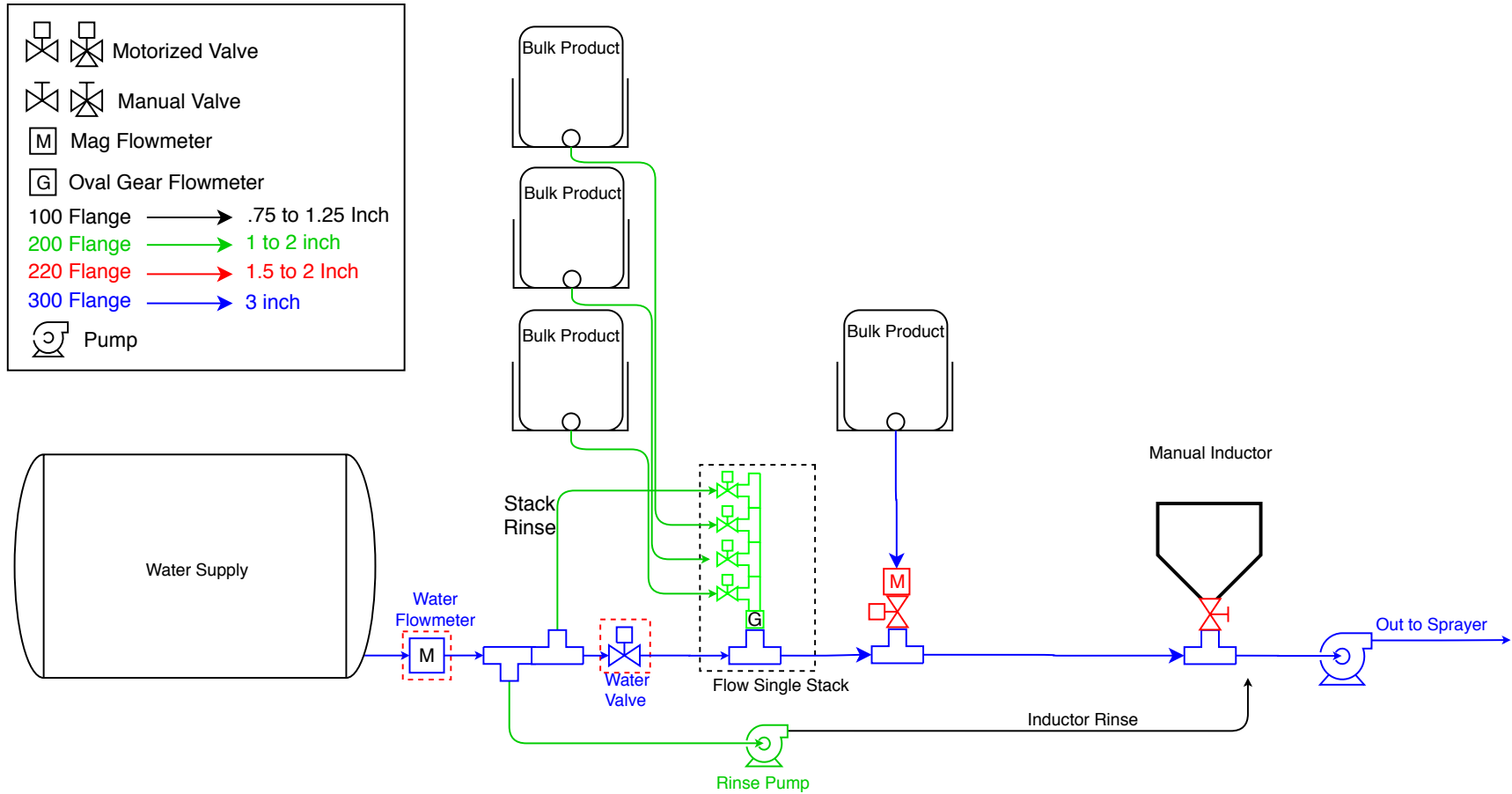


# Single Stack and 2" Single Input Plumbing Diagram

Diagram ST-3



Mixmate three input Single Stack. All chemicals in the stack are measured with gear type flowmeter. An input with a two inch magmeter and valve will measure at the same time as the Flow Stack. This configuration is good for fertilizers and thick chemical that can be measured with a magmeter. Consult your dealer for variations to this configuration.

Optionally add the three inch valve and flowmeter to automatically measure and control the water in the mix.

The Rinse Pump supplies pressurized rinse water to the Inductor and jug rinse.  
 Kits: K1b, K18, K46, K33, K50, E1, E67, E27